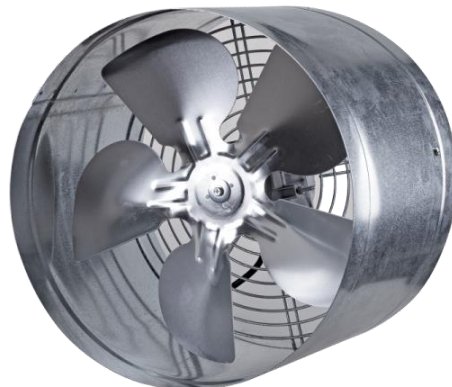


EL[®]MARK

The Brand of Electricity

INDUSTRIAL FANS

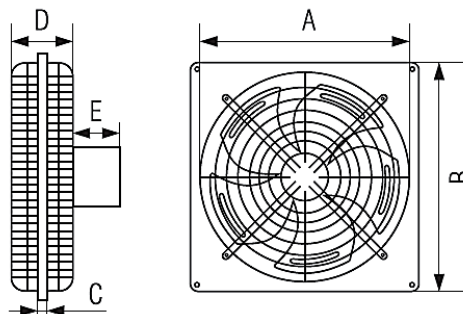
ELMARK



Industrial fans are suitable for a continuous or periodical ventilation of medium large agricultural, industrial buildings, park lots, warehouses and other places where it is needed great volumes of air to be moved as well as other non-explosive gases, not containing glue substances.

TECHNICAL SPECIFICATION SHEET

ELMARK PAS SERIES»



Industrial fans, for exhaust ventilation

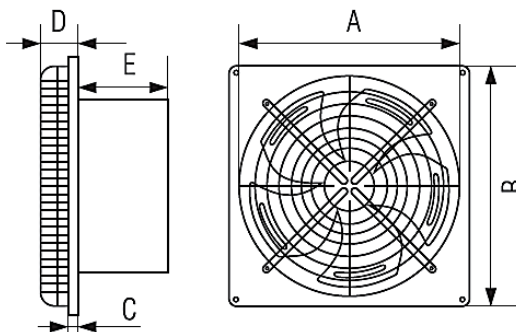
MOUNTING: on a window, wall, roof, suspending ceiling, inside walls.

Overall dimensions (mm)

Model	ØA	B	C	D	E
PAS- 200	220	257	3	70	53
PAS- 250	270	313	8	70	60
PAS- 300	320	350	10	86	80

Model	Diameter (mm)	Voltage (V)	Power (W)	r.p.m.	Maximum air capacity (m3/h)	Sound pressure level db(A)	Catalogue number
PAS- 200	200	220-240	36	1300	410	51	500126
PAS- 250	250	220-240	60	1300	800	53	500127
PAS- 300	300	220-240	110	1300	1400	58	500128

ELMARK IAS SERIES»



Industrial wall fans, for exhaust ventilat

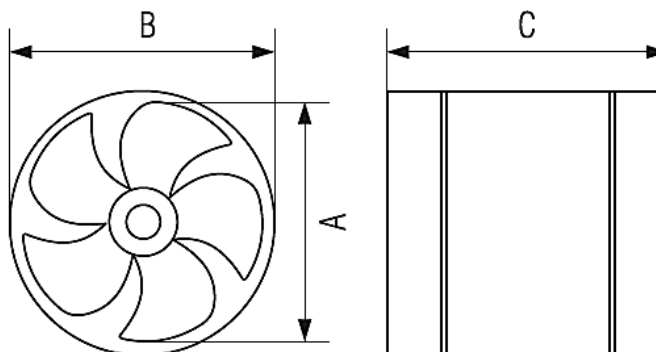
MOUNTING: on the, wall.

Overall dimensions (mm)

Model	ØA	B	C	D	E
IAS- 200	220	264	11	18	127
IAS- 250	270	314	11	18	147
IAS- 300	320	364	11	18	155

Model	Diameter (mm)	Voltage (V)	Power (W)	r.p.m.	Maximum air capacity (m3/h)	Sound pressure level db(A)	Catalogue number
IAS- 200	200	220-240	36	1300	410	53	500129
IAS- 250	250	220-240	60	1300	800	56	500130
IAS- 300	300	220-240	110	1300	1400	60	500131

ELMARK TAS SERIES»



Overall dimensions (mm)

Model	ØA	B	C	D	E
TAS- 200	220	264	11	18	127
TAS- 250	270	314	11	18	147
TAS- 300	320	364	11	18	155

Industrial inline fans, for exhaust ventilation

MOUNTING: on a walls, ceilings, suspending ceilings.

Possibility to mounting in in the ventilation systems

Model	Diameter (mm)	Voltage (V)	Power (W)	r.p.m.	Maximum air capacity (m3/h)	Sound pressure level db(A)	Catalogue number
TAS- 200	200	220-240	36	1300	410	55	500132
TAS- 250	250	220-240	60	1300	800	57	500133
TAS- 300	300	220-240	110	1300	1400	62	500134

ALUMINIUM EXHAUST GRILLS



Material	Colour	Dimensions (mm)	Packing/Box (pcs)	Catalogue number
Aluminium	Grey	200/200	8	500136
Aluminium	Grey	250/250	4	500137
Aluminium	Grey	300/300	4	500138
Aluminium	Grey	350/350	5	500139

