

EL[®]MARK

The Brand of Electricity

RECHARGEABLE WALL LAMP

BOCCA



GENERAL INFORMATION »

- ∴ Material: Resin
- ∴ Shockproof and UV resistant
- ∴ Frost and heat resistant
- ∴ Light source: Rechargeable LED bases
- ∴ Products are equipped with remote control and charger German type
- ∴ Dimmable
- ∴ Protection level: IP65



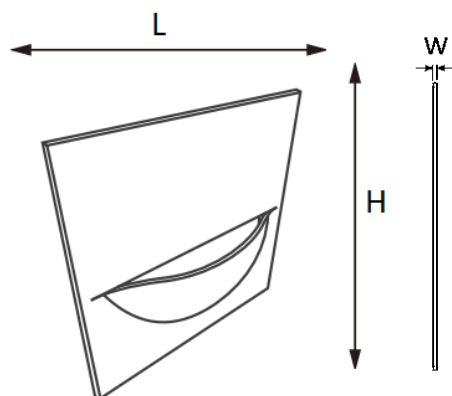
FEATURES »

- ∴ New exclusive light up range
- ∴ Elegant decor- stylish design with finished appearance.
- ∴ Built-in rechargeable battery powered- no wiring needed and easy to install.
- ∴ Very lightweight and simple to operate.
- ∴ Ideal for both outdoor and indoor use.
- ∴ Applications: unique home decor, pool, lawn patio lamp, garden, bar, restaurant, etc.

PRODUCT DETAILS »

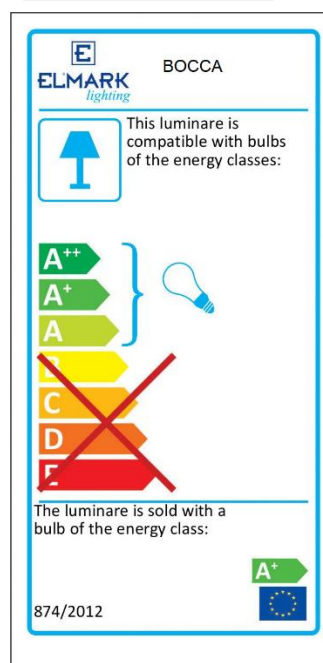
Catalogue number	Type	Light source colour temp (K)	Body colour	Glowing in
97BOCCARGB/NE	LED wall lamp	RGBW	Neutral	RGBW

DIMENSIONS »



Model	Length (mm)	Width (mm)	Height (mm)
BOCCA	400	85	400

ENERGY LABEL »



Lighting source specification:

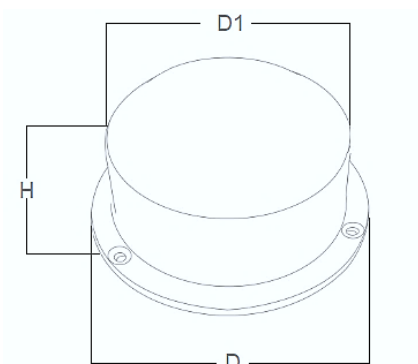
RECHARGEABLE LED BASE

Technical details:

- Input Voltage: 100-240VAC, 50/60Hz
- Output Voltage: 5V 1A
- Battery type: Li- 603040; 3.7V; 800mAh
- Charging time: 6h
- Discharging time: 10-12h



Product specifications:



Type	LEDs (qty)	Colour temp. (K)	Size (mm)		
			D	D1	H
RGBW BASE 65	1+1	RGBW	85	68	65

The LED base is equipped with remote control and charger German type:

