

# ELMARK<sup>®</sup>

The Brand of Electricity

## ALL-PURPOSE LIMIT SWITCH – SERIES TZ-6XXX



466001



466104



466101



466143



466102



466106

# TECHNICAL SPECIFICATION

## AUTOMATION

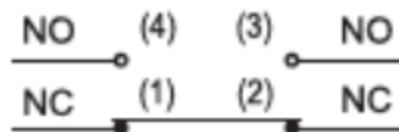
**ELMARK**<sup>®</sup>

The Brand of Electricity

**Description:** The all-purpose limit switches are devices used in automatic systems as a control element. They are used for setting of gearing limits. They are mounted on transport lines, conveyors and other linear progressive motion machines. They feature a vibration-resistant metal shell.

### Technical data:

- Dielectric strength: 1000V AC
- Insulating resistance: 100mΩ
- Electrical endurance (number of cycles): 500 000 with active load
- Mechanical endurance (number of cycles): 10 000 000
- Gearing speed: 0.1mm/s to 0.5 m/s
- Rated voltage: 230V
- Rated current: up to 15A
- IP code: IP65
- Cable input: cable glandPG11
- Section of power supply conductor: up to 1.5mm<sup>2</sup>
- Fastening strength of terminals: 6-8kgf/cm



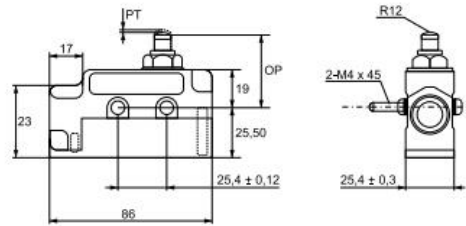
# TECHNICAL SPECIFICATION

## AUTOMATION

# ELMARK®

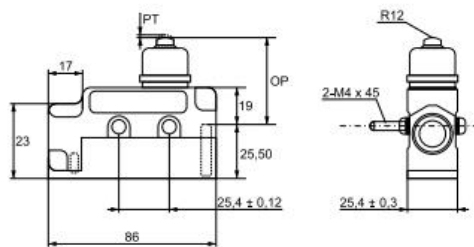
The Brand of Electricity

### Variants and dimensions:



466001

Type	Type of the head	Power of starting (g)	Power of release (g)	Switching position	General movement	Rated current	Packing / Box (pcs)	Catalogue number
TZ-6001	Metal cylinder	350	115	0.5mm	5.5mm	15A	1/50	466001



466101

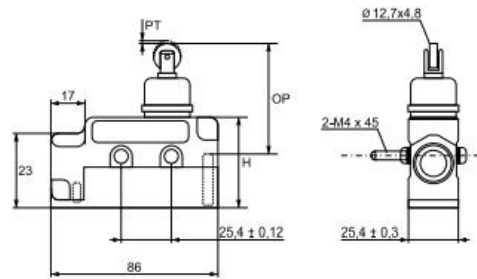
Type	Type of the head	Power of starting (g)	Power of release (g)	Switching position	General movement	Rated current	Packing / Box (pcs)	Catalogue number
TZ -6101	Oil-resistant metal cylinder	800	240	2mm	5mm	15A	1/50	466101

# TECHNICAL SPECIFICATION

## AUTOMATION

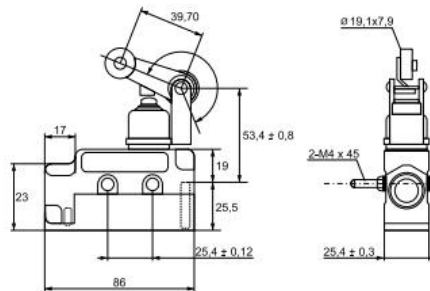
# ELMARK®

The Brand of Electricity



466102

Type	Type of the head	Power of starting (g)	Power of release (g)	Switching position	General movement	Rated current	Packing / Box (pcs)	Catalogue number
TZ -6102	Oil-resistant cylinder with metal roll	500	100	1mm	3.5mm	15A	1/50	466102



466104

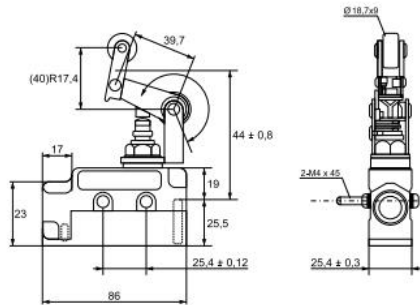
Type	Type of the head	Power of starting (g)	Power of release (g)	Switching position	General movement	Rated current	Packing / Box (pcs)	Catalogue number
TZ -6104	Oil-resistant horizontal lever with metal roll	640	230	5mm	6mm	15A	1/50	466104

# TECHNICAL SPECIFICATION

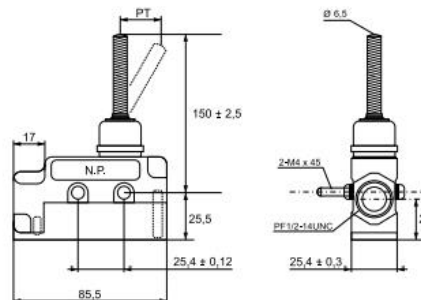
## AUTOMATION

# ELMARK®

The Brand of Electricity



Type	Type of the head	Power of starting (g)	Power of release (g)	Switching position	General movement	Rated current	Packing / Box (pcs)	Catalogue number
TZ -6106	Oil-resistant vertical lever with metal roll	640	230	5mm	6mm	15A	1/50	466143



466106

Type	Type of the head	Power of starting (g)	Power of release (g)	Switching position	General movement	Rated current	Packing / Box (pcs)	Catalogue number
TZ-6001	Spring lever	150	-	20°	-	15A	1/50	466106

### Standards

EN 60947-1

EN 60947-5-1

