

EL[®]MARK

The Brand of Electricity

LED PANELS ROUND OM SATIN NICKEL



TECHNICAL SPECIFICATION

INDOOR-LED PANELS

ELMARK[®]

The Brand of Electricity

Technical data:

- Rated voltage: 230V/ 50-60Hz
- Power: 12W; 18W;
- Power supply: Control gear; DC device- driver
- Colour temperature: 2700-3000K; 4000-4300K;
- LED source: Epistar SMD 2835
- Colour: Satin nickel;
- Body: Aluminium
- Beam angle: 120°
- Colour rendering index: Ra≥80
- Switch on/off: >20 000
- Long life: 30 000h
- Starting time: < 0,5s
- Power factor: $\lambda > 0,8$
- Installation: Surface mounting
- Protection against dust and moisture: IP40

Features:

- Completely replace traditional fluorescent lighting
- Safety, low voltage operation
- Emit a very pleasant and even light with very low glare factor due to the diffusion lens
- Low power consumption
- Repeated switch-on/off does not affect the lifespan of the LED panel
- Instant light with maximum luminous flux
- Environmentally friendly - do not emit mercury and lead (RoHS Directive)
- No ultraviolet and infrared rays
- Resistant to shock and vibration

TECHNICAL SPECIFICATION

INDOOR-LED PANELS

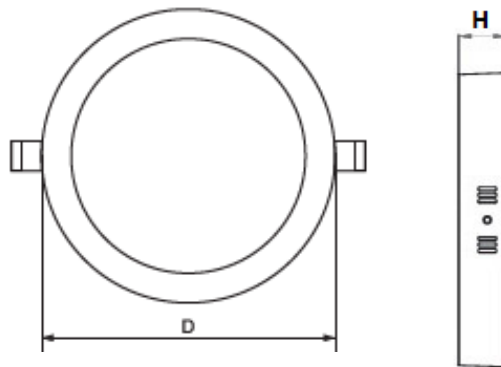
ELMARK[®]

The Brand of Electricity

Area of application:

- Residential buildings
- Administrative buildings
- Banks
- Hospitals
- Schools

Variants and Dimensions:



Watt	Whole fixture lumens	Colour temp.	Colour body	Size (mm)		Catalogue number
				(W)	(lm)	
13	1040	4000-4300	satin nickel	170	38	99LED624
13	1040	2700-3000	satin nickel	170	38	99LED625
21	1680	2700-3000	satin nickel	220	38	99LED627

TECHNICAL SPECIFICATION

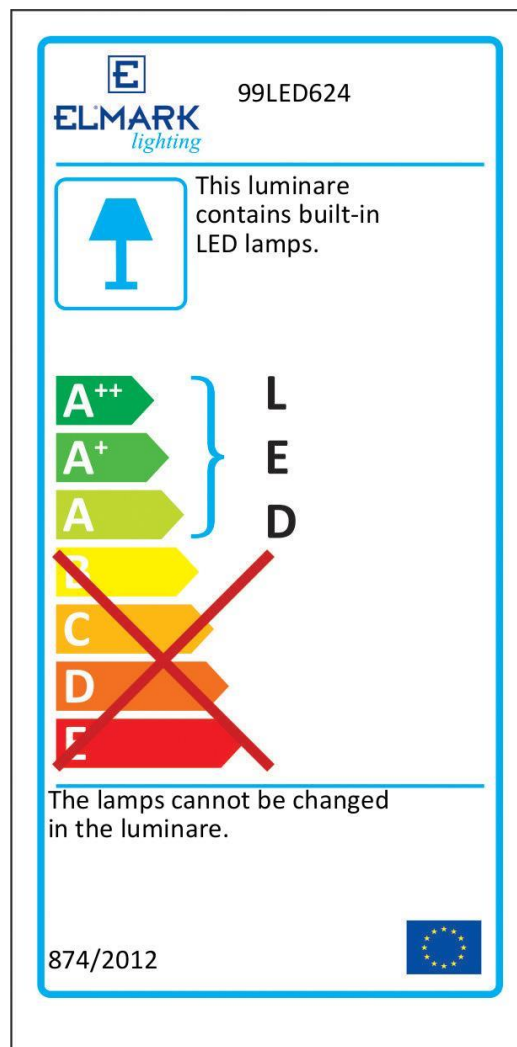
INDOOR-LED PANELS

ELMARK[®]

The Brand of Electricity

Barcodes:

99LED624	3800131184092
99LED625	3800131184108
99LED627	3800131184122



EN 55015 • EN 61000-3-2 • EN 61000-3-3 • EN 61547 • EN 60598-1 • EN 60598-2-2 • EN 61347-1 • EN 61347-2-13 • EN 13032-4 • EN 50581:2012

