

FACADE LIGHTING OL9611-W



Technical data

<i>Rated voltage:</i>	230V/ 50-60Hz
<i>Power:</i>	3W; 2X3W
<i>Driver:</i>	Mounting in the body
<i>LED type:</i>	CREE LED
<i>Colour temperature:</i>	4000-4300K;
<i>Case:</i>	Aluminium
<i>Diffuser:</i>	Tempered glass
<i>Body colour:</i>	Dark grey
<i>Colour rendering index:</i>	Ra≥80
<i>Operating temperature:</i>	-20° ÷ + 65°C
<i>Switch on/off:</i>	15 000h
<i>Long life:</i>	30 000h
<i>Installation:</i>	Surface mounting on wall
<i>Surface requirement:</i>	Class F
<i>Protection against dust and moisture:</i>	IP54

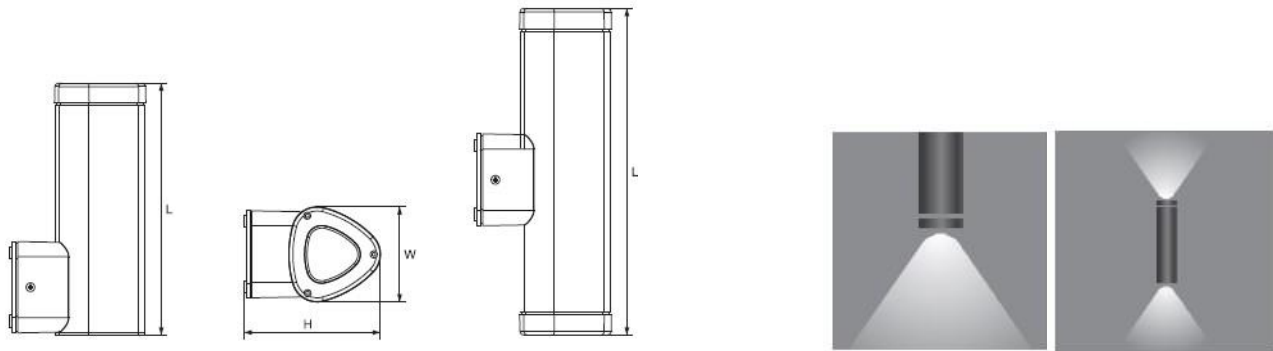
Features

- Low power consumption
- Repeated switch on/off does not affect the lifespan
- Instant light with maximum luminous flux
- Environmentally friendly - no mercury and lead
- No ultraviolet and infrared rays
- Resistant to shock and vibration-free body
- Low heat emission

Area of application

- Suitable for outdoor use
- Additional, aesthetic, directional, architectural lighting for buildings' facades, fences' columns and other outdoor sites

Variants and dimensions

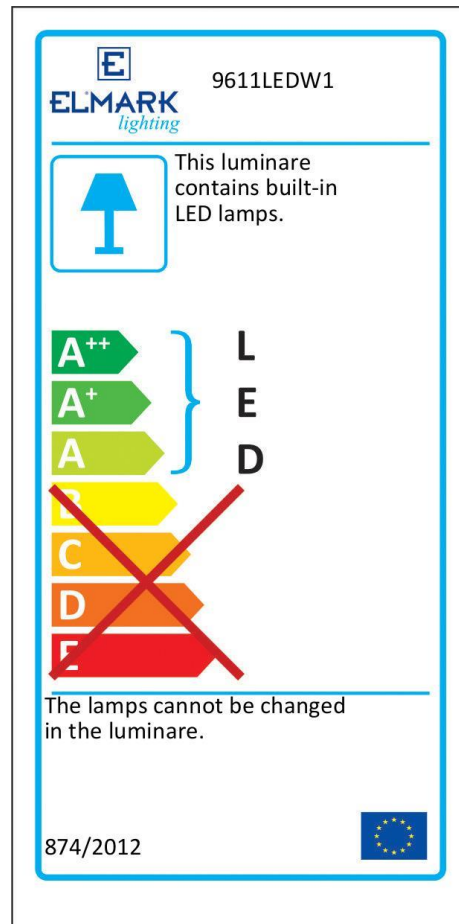


Watt	Whole fixture lumens (lm)	Colour temp. (K)	Colour body	Size			Catalogue number
				L	W	H	
3W	210 lm	4000-4300	dark grey	153	72.6	106.4	9611LEDW1
2X3W	2x 300-340lm	4000-4300	dark grey	231.6	72.6	106.4	9611LEDW2

Barcodes

3800131186409	9611LEDW1
3800131186416	9611LEDW2

Energy efficiency



Standards

- EN 55015 • EN 61000-3-2 • EN 61000-3-3 • EN 61547 • EN 60598-1 • EN 60598-2-2 •

